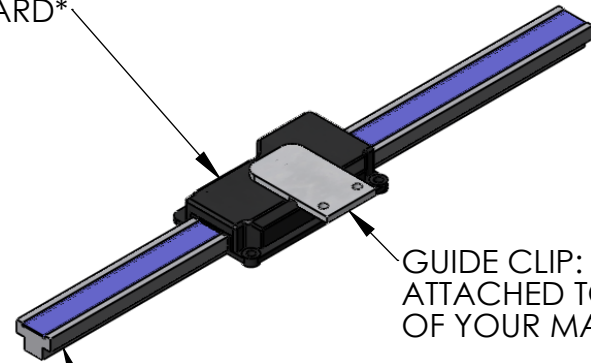


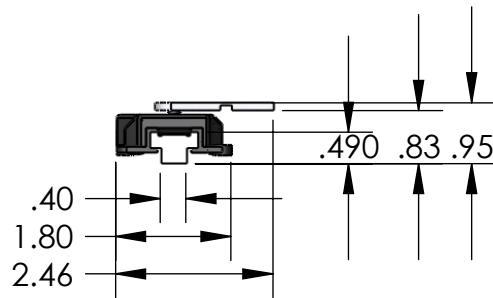
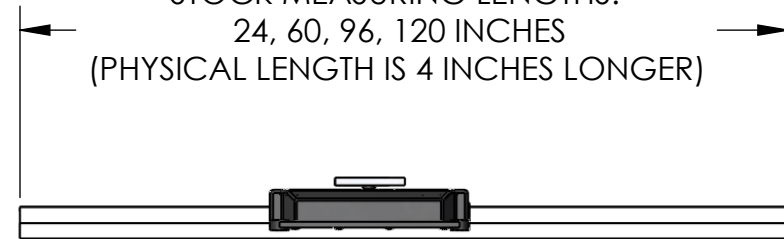
ENCODER:
120 INCH CABLE IS STANDARD*



GUIDE CLIP:
ATTACHED TO MOVING PART
OF YOUR MACHINE

SCALE:
MOUNTED TO FIXED PART OF YOUR MACHINE
-THRU HOLES ARE OPTIONAL FOR EACH END OR
-BLIND HOLES OPTIONAL ALONG LENGTH

STOCK MEASURING LENGTHS:
24, 60, 96, 120 INCHES
(PHYSICAL LENGTH IS 4 INCHES LONGER)



UNLESS OTHERWISE SPECIFIED:		NAME	DATE	ACCURATE TECHNOLOGY INC
DIMENSIONS ARE IN INCHES		DRAWN	MF	
TOLERANCES:		CHECKED		TITLE:
ANGULAR: MACH ±1 BEND ±2		ENG APPR.		ProScale Model 380
ONE PLACE DECIMAL ±0.050		MFG APPR.		
TWO PLACE DECIMAL ±0.020		Q.A.		SIZE DWG. NO. REV
THREE PLACE DECIMAL ±0.005		COMMENTS:		A Installation Dimensions A
INTERPRET GEOMETRIC TOLERANCING PER:				SCALE: 1:3 WEIGHT: SHEET 1 OF 1
MATERIAL				
FINISH				
DO NOT SCALE DRAWING				

*ENCODERS ARE STOCKED WITH:
12, 24, AND 120 INCH CABLES. THE
MODEL 380 IS SUPPLIED WITH A 120 INCH
CABLE IF NOSPECIFICATION IS MADE.

PROPRIETARY AND CONFIDENTIAL
THE INFORMATION CONTAINED IN THIS
DRAWING IS THE SOLE PROPERTY OF
ACCURATE TECHNOLOGY, INC. ANY
REPRODUCTION IN PART OR AS A WHOLE
WITHOUT THE WRITTEN PERMISSION OF
ACCURATE TECHNOLOGY IS
PROHIBITED.