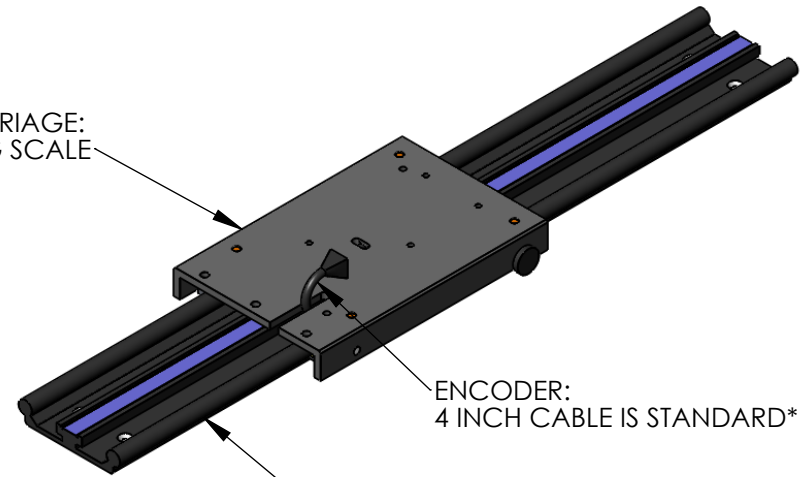


A and B dimensions on page 2

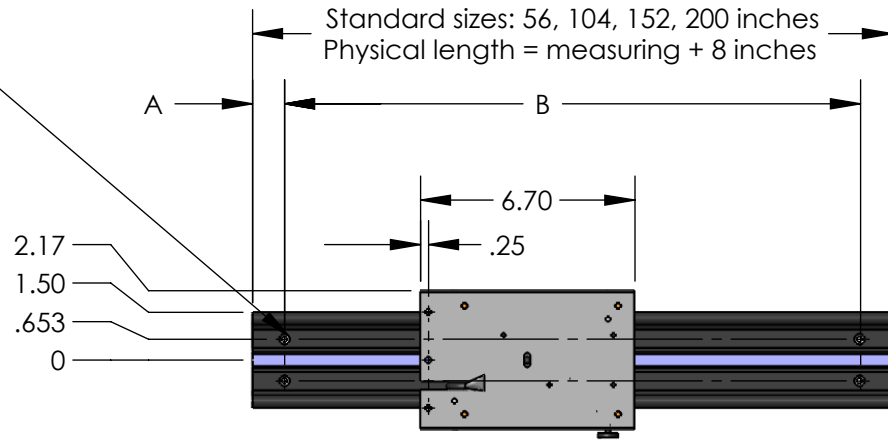
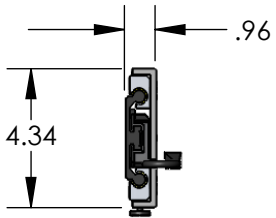
MOVING CARRIAGE:
SLIDES ALONG SCALE

ENCODER:
4 INCH CABLE IS STANDARD*

SCALE:
MOUNTED FIXED



Drilled and CS for #8 flathead screws



Standard sizes: 56, 104, 152, 200 inches
Physical length = measuring + 8 inches

*Encoders are stocked with:
4, 12, 24, 72, 120, 240, and 360 inch cables.
The Model 580 is supplied with a 4 inch
cable if no specification is made.

PROPRIETARY AND CONFIDENTIAL
THE INFORMATION CONTAINED IN THIS
DRAWING IS THE SOLE PROPERTY OF
ACCURATE TECHNOLOGY, INC. ANY
REPRODUCTION IN PART OR AS A WHOLE
WITHOUT THE WRITTEN PERMISSION OF
ACCURATE TECHNOLOGY IS
PROHIBITED.

UNLESS OTHERWISE SPECIFIED:		NAME	DATE	ACCURATE TECHNOLOGY INC.
DIMENSIONS ARE IN INCHES		DRAWN	MF	
TOLERANCES:		CHECKED		TITLE:
ANGULAR: MACH ±1 BEND ±2		ENG APPR.		Model 580 with Basic Readout
ONE PLACE DECIMAL ±0.050		MFG APPR.		
TWO PLACE DECIMAL ±0.020		Q.A.		SIZE DWG. NO. REV
THREE PLACE DECIMAL ±0.005		COMMENTS:		A 901-58xx-xxx B
INTERPRET GEOMETRIC TOLERANCING PER:	MATERIAL			SCALE: 1:6 WEIGHT: SHEET 1 OF 2
FINISH	DO NOT SCALE DRAWING			

HOLE TABLE FOR MODEL 580

DIMENSIONS SUBJECT TO CHANGE.
DIMENSIONS ARE +/- 0.020 TOLERANCE.

MODEL	PHYSICAL LENGTH	MEASURING LENGTH	DIMENSION A	DIMENSION B	TOTAL HOLES
580-4	56 INCHES	48 INCHES	4 INCHES	12 INCHES	10 HOLES
580-8	104 INCHES	96 INCHES	4 INCHES	16 INCHES	14 HOLES
580-12	152 INCHES	144 INCHES	8 INCHES	17 INCHES	18 HOLES
580-16	200 INCHES	192 INCHES	1 INCH	18 INCHES	24 HOLES