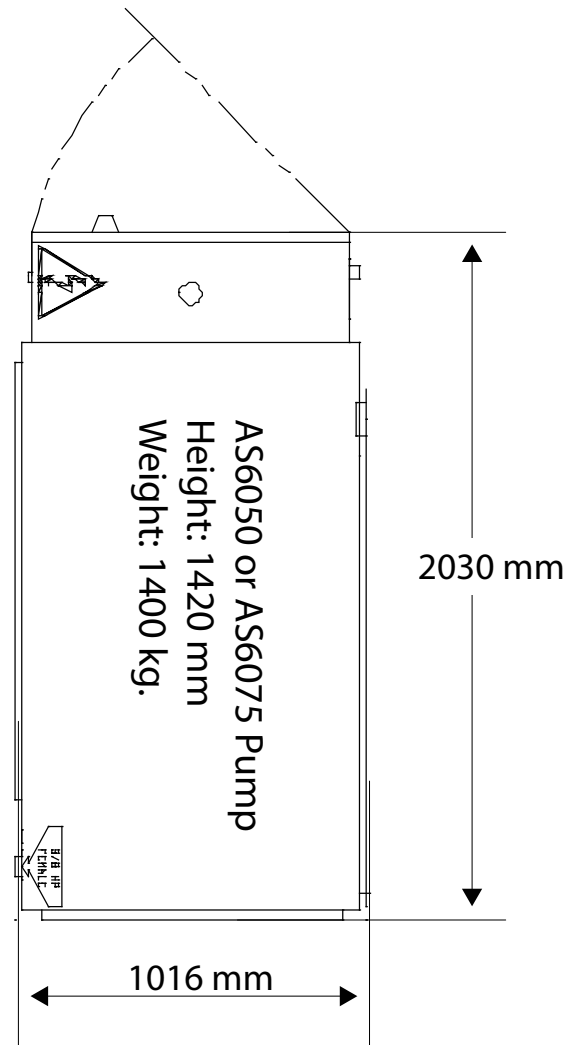
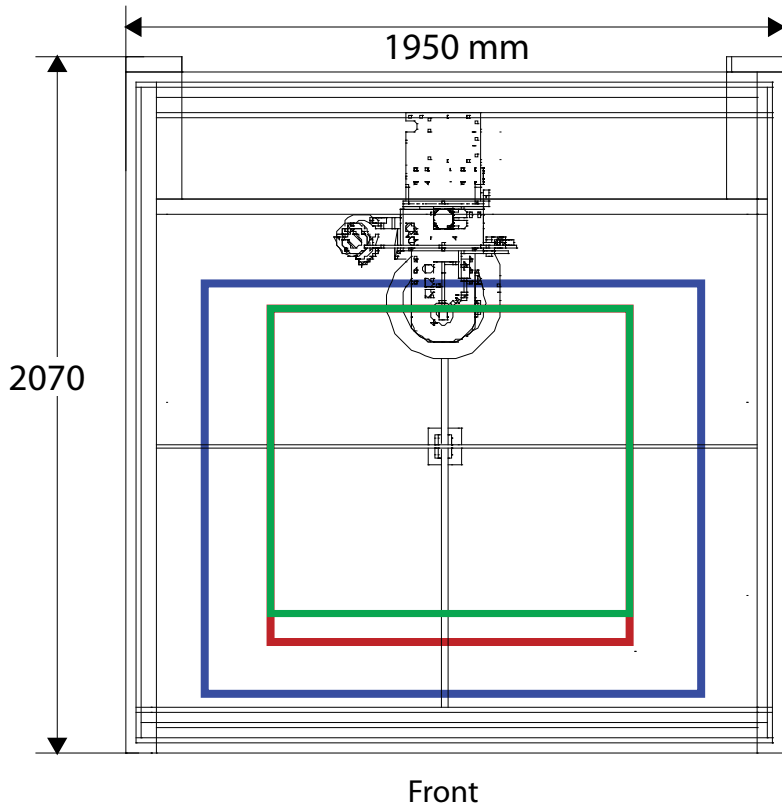


Z-45



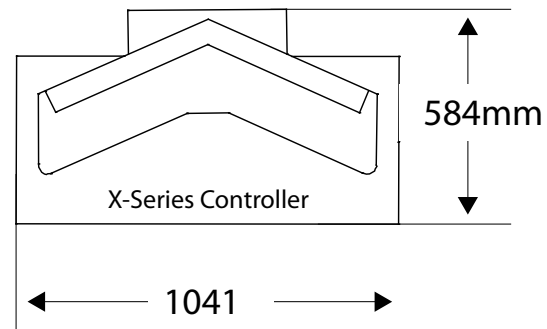
Cutting Envelopes

Metric

Single Head - 1.2m x 1.5 wide

5-Axis Head - 1m x 1m wide

*Cutting envelope may be reduced when adding a 5-Axis height sensor. This reduction can be eliminated with modifications to the grating system. Contact WARDJet for more details.



QtEC
Automation & WaterJet Technology

QtEC ApS
Lundsberg Industrivej 17
DK-6200 Aabenraa
Phone +45 73 66 21 00
Fax +45 73 66 22 00

E-mail: info@qttec.dk
Http: www.qttec.dk

CVR-nr.: DK-28 85 49 43