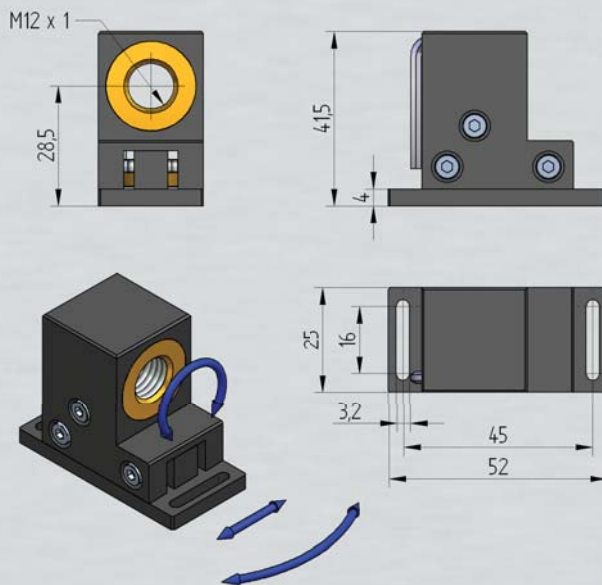
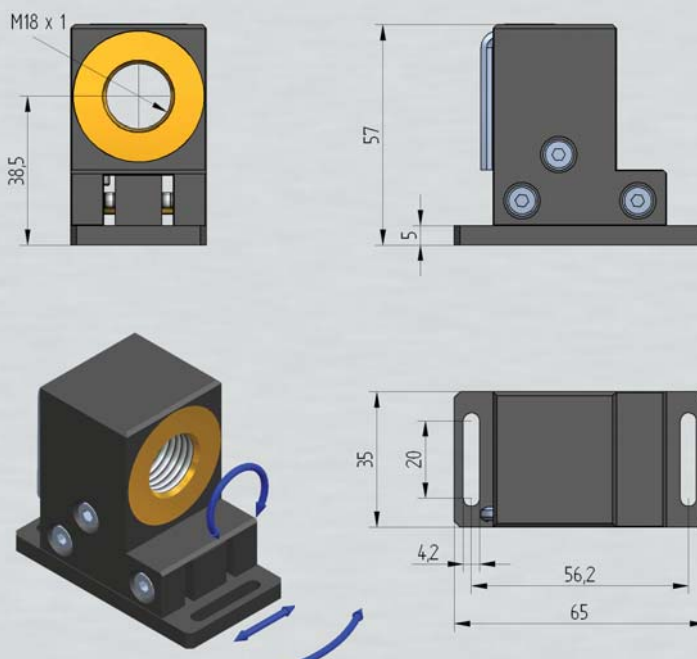


H6-M12 and H6-M18 Precision mountings



H6-M12

Aluminium mounting for all ZM12 laser with M12 thread.
Coaxially pivotable, angle adjustable, parallel shiftable.



H6-M18

Aluminium mounting for all ZM18 laser with M18 thread.
Coaxially pivotable, angle adjustable, parallel shiftable.